

Ex de, Intrinsically Safe (Ex ia), Weatherproof PB Range



Features

- ATEX certified.
- IECEx certified.
- UL listed for Haz locs.
- UL listing for Ord locs.
- CUTR certified.
- Chinese (CQST) certified.
- Brazilian (Inmetro) certified.
- SIL 2 certified.
- IP66 and IP67.
- Corrosion free GRP construction.
- A variety of colours available.
- Up to 9 terminals available.
- Optional LED – indicates that the unit has been operated.
- Earth continuity option for metal glands.
- 1 or 2 changeover switches.
- Captive cover screws.
- Lift Flap as standard.
- Latching as standard. Self reset (momentary) available.

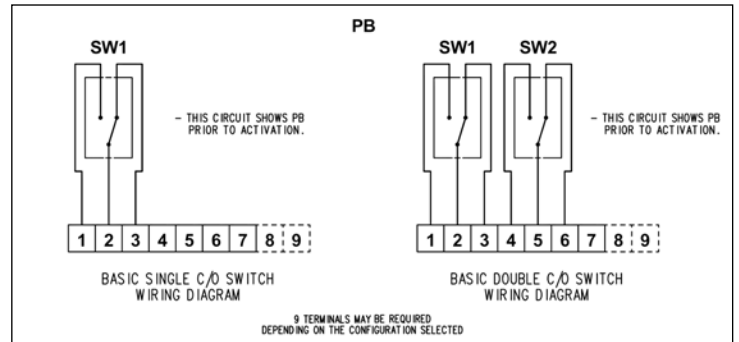
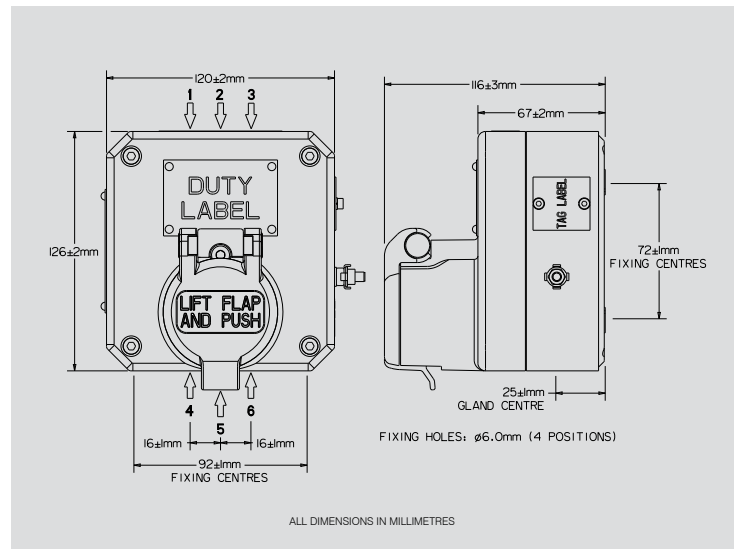
Introduction

These new and improved manual alarm call points have been designed for use in hazardous locations and harsh environmental conditions. The GRP enclosure is suitable for use onshore or offshore where light weight combined with a high level of corrosion resistance is required. The unit is now supplied with a lift flap that latches firmly in place.



Certification and Specification

ATEX Ex de:	Cert. no. BAS02ATEX2105X. ATEX Approved Ex II 2GD. EN60079-0, EN60079-1, EN60079-7, EN60079-31. Ex de IIC T6 Gb, Ex tb IIIC T85°C Db switch only. Ex de mb IIC T6 Gb, Ex tb IIIC T85°C Db with LED. Ex de mb IIC T4 Gb, Ex tb IIIC T135°C Db with resistors & diodes.
ATEX Ex ia:	Cert. no. Baseefa 03ATEX0084X. ATEX Approved Ex II 1GD Certified to: EN60079-0, EN60079-11. Ex ia IIC T4 Ga, Ex ia IIIC T135°C Da.
IECEX Ex ia:	Cert. no. IECEX BAS 12.0093X. Certified to: IEC 60079-0, IEC 60079-11. Ex ia IIC T4 Ga, Ex ia IIIC T135°C Da.
UL:	Listing no. E186629 UL listed to Class 1, Div 2. Groups A – D. UL listed for Ordinary Locations. Listing no. S8117
CSA:	Cert. no. 79120-3. Class 1 groups A, B, C & D.
CUTR Ex ed:	2Ex ed IIC T6, DIP A21 T85°C IP66/IP67 (switch only). 2Ex e md IIC T4, DIP A21 T135°C IP66/IP67 (other versions). Russian Fire Approved.
CUTR Ex ia:	0Exia IIC T4. Russian Fire Approved.
Inmetro Ex de:	Ex de IIC T6 Gb (Switch only), Ex de mb IIC T4 Gb (other versions).
Inmetro Ex ia:	Ex ia IIC T4 Ga.
CQST Ex de:	Ex de IIC T6 (switch only), Ex de mb IIC T4 (other versions).
CQST Ex ia:	Ex ia IIC T4.
Type Apps:	American Bureau of Shipping type approval (ABS) PBI only.
SIL:	SIL2 Certification to IEC61508. Cert. No. FSP1400
Material:	Anti-static UV resistant glass reinforced polyester.
Finish:	Red painted finish as standard or to customer specification.
Voltage:	Up to 254V a.c. Up to 28V d.c.
Weight:	1.2 kg. (Varies with models and entries).
Ingress Protection:	IP66 & IP67.
Entries:	Up to 4 entries, M16 or M20 top and bottom (1/2" NPT available on UL version).
Terminals:	7 x 2.5mm ² – standard. 9 x 2.5mm ² optional – up to 60V only.
Resistors:	Various configurations available on versions up to 24V and all 'IS' versions. (Minimum Resistor value 100ΩPBE, 470ΩPBI).
Earth Continuity:	Internal and external earth continuity is provided with an optional earth plate.
LED Indication:	A high intensity red LED can be fitted as an optional extra to indicate operation on versions up to 24V and all 'IS' versions.
Labelling:	Duty label – worded to customers requirements. Riveted on. Tag label – worded to customers requirements. Screwed on.
Switch Ratings:	d.c. 0-30v 5A (resistive) or 3A (inductive)
(1 or 2 changeover switches fitted)	30-50v 1A (resistive or inductive) a.c. 0-254V 5A (resistive or Inductive)



Temperature

Model	PBW	PBUL	PBE	PBI	CSA
	-40°C to +70°C	-25°C to +55°C†	-40°C to +70°C*	-40°C to +70°C	-50°C to +40°C

* -35°C to +70°C with LED, -20°C to +50°C for Inmetro.
† -25°C to +50°C With resistors or LED fitted.

Ordering Requirements

The following code is designed to help in selection of the correct unit. Build up the reference number by inserting the code for each component into the appropriate box.

Model	Certification	Entries	Labels	Voltage	Switches	Options	Terminals	Finish																																																											
PB																																																																			
<table border="1"> <thead> <tr> <th>Entries</th> <th>Code</th> </tr> </thead> <tbody> <tr> <td>M16</td> <td>*A</td> </tr> <tr> <td>M20</td> <td>*B</td> </tr> <tr> <td>1/2" NPT</td> <td>*C</td> </tr> </tbody> </table>		Entries	Code	M16	*A	M20	*B	1/2" NPT	*C	<table border="1"> <thead> <tr> <th>Label</th> <th>Code</th> </tr> </thead> <tbody> <tr> <td>None</td> <td>0</td> </tr> <tr> <td>Duty label reqd.</td> <td>4*</td> </tr> <tr> <td>Tag label reqd.</td> <td>5*</td> </tr> </tbody> </table> <p>* Specify wording on 4 or 5 as required.</p>		Label	Code	None	0	Duty label reqd.	4*	Tag label reqd.	5*	<table border="1"> <thead> <tr> <th>Switches</th> <th>Code</th> </tr> </thead> <tbody> <tr> <td>Single changeover</td> <td>S</td> </tr> <tr> <td>Double changeover</td> <td>D</td> </tr> </tbody> </table>		Switches	Code	Single changeover	S	Double changeover	D	<table border="1"> <thead> <tr> <th>Options</th> <th>Code</th> </tr> </thead> <tbody> <tr> <td>None</td> <td>N</td> </tr> <tr> <td>LED</td> <td>A</td> </tr> <tr> <td>Resistor series</td> <td>C*</td> </tr> <tr> <td>Resistor EOL</td> <td>D*</td> </tr> <tr> <td>Diode</td> <td>E†</td> </tr> <tr> <td>Earth continuity</td> <td>F**</td> </tr> <tr> <td>Turn and push</td> <td>T†</td> </tr> <tr> <td>Self reset (momentary)</td> <td>M</td> </tr> <tr> <td>Resistor series and EOL</td> <td>S*†</td> </tr> </tbody> </table> <p>* Specify values ** Must be selected when selecting CSA certification. † Choose for PBE only - on the PBW, choose C & D. ‡ Not available for UL/CSA versions.</p>		Options	Code	None	N	LED	A	Resistor series	C*	Resistor EOL	D*	Diode	E†	Earth continuity	F**	Turn and push	T†	Self reset (momentary)	M	Resistor series and EOL	S*†	<table border="1"> <thead> <tr> <th>Finish</th> <th>Code</th> </tr> </thead> <tbody> <tr> <td>Red (standard)</td> <td>R</td> </tr> <tr> <td>Natural Black</td> <td>N</td> </tr> <tr> <td>Blue</td> <td>B</td> </tr> <tr> <td>Yellow</td> <td>Y</td> </tr> <tr> <td>Grey</td> <td>G</td> </tr> <tr> <td>Yellow/Black stripes</td> <td>X</td> </tr> <tr> <td>Special</td> <td>S*</td> </tr> </tbody> </table> <p>* Please specify</p>		Finish	Code	Red (standard)	R	Natural Black	N	Blue	B	Yellow	Y	Grey	G	Yellow/Black stripes	X	Special	S*
Entries	Code																																																																		
M16	*A																																																																		
M20	*B																																																																		
1/2" NPT	*C																																																																		
Label	Code																																																																		
None	0																																																																		
Duty label reqd.	4*																																																																		
Tag label reqd.	5*																																																																		
Switches	Code																																																																		
Single changeover	S																																																																		
Double changeover	D																																																																		
Options	Code																																																																		
None	N																																																																		
LED	A																																																																		
Resistor series	C*																																																																		
Resistor EOL	D*																																																																		
Diode	E†																																																																		
Earth continuity	F**																																																																		
Turn and push	T†																																																																		
Self reset (momentary)	M																																																																		
Resistor series and EOL	S*†																																																																		
Finish	Code																																																																		
Red (standard)	R																																																																		
Natural Black	N																																																																		
Blue	B																																																																		
Yellow	Y																																																																		
Grey	G																																																																		
Yellow/Black stripes	X																																																																		
Special	S*																																																																		
<table border="1"> <thead> <tr> <th>Certification</th> <th>Code</th> </tr> </thead> <tbody> <tr> <td>ATEX/CENELEC - Ex de</td> <td>EB</td> </tr> <tr> <td>ATEX/CENELEC - Ex ia</td> <td>IB</td> </tr> <tr> <td>IECEX - Ex ia</td> <td>IJ</td> </tr> <tr> <td>CSA - Ex ia</td> <td>IC</td> </tr> <tr> <td>UL - Listed</td> <td>UL</td> </tr> <tr> <td>UL - Ordinary Locations</td> <td>UW</td> </tr> <tr> <td>CUTR - Ex ia</td> <td>IG*</td> </tr> <tr> <td>CUTR Ex ed</td> <td>EG*</td> </tr> <tr> <td>CQST - Ex de</td> <td>EQ†</td> </tr> <tr> <td>CQST - Ex ia</td> <td>IQ†</td> </tr> <tr> <td>Inmetro - Ex de</td> <td>EM</td> </tr> <tr> <td>Inmetro - Ex ia</td> <td>IM</td> </tr> <tr> <td>Uncertified</td> <td>WN</td> </tr> </tbody> </table> <p>* Prefix entry size (see diagram above) with entry position code e.g. 4B6B. UL versions only available with 1/2" NPT entries. * Russian Fire Approved as standard. † Not suitable for use in China on fire alarm systems.</p>		Certification	Code	ATEX/CENELEC - Ex de	EB	ATEX/CENELEC - Ex ia	IB	IECEX - Ex ia	IJ	CSA - Ex ia	IC	UL - Listed	UL	UL - Ordinary Locations	UW	CUTR - Ex ia	IG*	CUTR Ex ed	EG*	CQST - Ex de	EQ†	CQST - Ex ia	IQ†	Inmetro - Ex de	EM	Inmetro - Ex ia	IM	Uncertified	WN	<table border="1"> <thead> <tr> <th>Voltage</th> <th>Code</th> </tr> </thead> <tbody> <tr> <td>a.c.</td> <td>A</td> </tr> <tr> <td>d.c.</td> <td>D</td> </tr> </tbody> </table>		Voltage	Code	a.c.	A	d.c.	D	<table border="1"> <thead> <tr> <th>Terminals</th> <th>Code</th> </tr> </thead> <tbody> <tr> <td>7 x 2.5mm (standard)</td> <td>7</td> </tr> <tr> <td>9 x 2.5mm (optional)</td> <td>9</td> </tr> </tbody> </table>		Terminals	Code	7 x 2.5mm (standard)	7	9 x 2.5mm (optional)	9																						
Certification	Code																																																																		
ATEX/CENELEC - Ex de	EB																																																																		
ATEX/CENELEC - Ex ia	IB																																																																		
IECEX - Ex ia	IJ																																																																		
CSA - Ex ia	IC																																																																		
UL - Listed	UL																																																																		
UL - Ordinary Locations	UW																																																																		
CUTR - Ex ia	IG*																																																																		
CUTR Ex ed	EG*																																																																		
CQST - Ex de	EQ†																																																																		
CQST - Ex ia	IQ†																																																																		
Inmetro - Ex de	EM																																																																		
Inmetro - Ex ia	IM																																																																		
Uncertified	WN																																																																		
Voltage	Code																																																																		
a.c.	A																																																																		
d.c.	D																																																																		
Terminals	Code																																																																		
7 x 2.5mm (standard)	7																																																																		
9 x 2.5mm (optional)	9																																																																		