

1st March 2021

Re: Product Elimination Announcement – SERVOPRO 1440 Series

Dear Valued Customer

More than 30 years ago Servomex began the production of the SERVOPRO 1400 Series product line, as the first bench or rack mount gas analyzer designed for single or dual measurement Oxygen and Infrared % level measurements.

In May 2018 Servomex released the updated SERVOPRO 4900 MultiGas (8900) analyzer to replace the legacy SERVOPRO 4900 product and also cover many of the applications that, up to now, would have used a 1400 series product. The new 4900 MultiGas incorporates the same industry-accepted sensing technologies, gas measurements, and ranges as found in the 1400 series product incorporated in a modern digital design. The 4900 MultiGas also offers a color touchscreen, advanced digital communication protocols, with additional inputs and outputs (I/O).

For single bench or rack mount % oxygen applications using digital paramagnetic technology another alternative product is the MonoExact DF310E analyzers based on a similar modern digital design as per the 4900 Multigas. Full technical details of available Servomex products can be found on our website www.servomex.com.

Servomex will accept orders to end September 2021 to ship SERVOPRO 1440 products through to the end of 2021. From 2022 Servomex will endeavor to support spare parts and service for legacy SERVOPRO 1440 series products for a period of seven (7) years, depending on availability of parts.

See Appendix A for a table comparison of key features of the SERVOPRO 1400 versus the new SERVOPRO 4900 MultiGas.

If you have any questions regarding any of the above, please feel free to contact myself or members of the Servomex IP&E team.

Yours faithfully



Keith Warren
Product Manager – Process Oxygen



APPENDIX A:

Feature	1440	4900 Multigas	MonoExact DF310E
Automatic Flow Control Device	YES	NO – Flow externally controlled between 0.5 to 1.5ltrs/min	Flow or Pressure Driven (Critical Orifice)
Flammable Gas version	YES	NO (Only ME4200 allows this)	Safe Area use with H2 and 53 other approved gases from our correction factor list
Chassis	19" Rack, Half Width, 4U 19" Rack, Full Width, 4U	19" Rack, Full Width, 3U single chassis 19" Rack, Full Width, 6U with extended chassis	6U Half Rack
Dual Range and Re-ranging	O2 can be set on Site (6 choices) CO, CO2, CH4 are fixed Dual Ranges	Re-ranging on site for all transducers User Defined Ranges. Autoranging feature.	Re-ranging on site for all transducers User Defined Ranges. Auto ranging feature.
Operation	Simple interface	Modern Touchscreen GUI	Modern Touchscreen GUI
Calibration	Manual using screwdriver adjustment	Software GUI: Manual and Automatic	Software GUI: Manual and Automatic
Inputs and Outputs	Limited – two concentration alarms and flow alarms per transducer	Very extensive and backwards compatible. Modbus TCP/IP	4 Digital Inputs, 2 Isolated Analog Outputs, Modbus, Profibus, TCP/IP
Gases / Ranges	Limited to O2%, CO%, CO2%, CH4%	O2 to 25%, 100% to ppm (CO, CO2), ppm (NO, SO2, N2O, CH4)	O2 to 25% and ppm O2 options plus H2O measurement with Al2O3 remote sensor
Outputs	4-20mA, 0-1V	Missing 0 – 1V, but has 4-20mA or 0-10V, RS232, Modbus RS485, PROFIBUS RS485, Modbus TCP (Oct 2018)	2 x Analog Output 4-20mA or 0-10 VDC

SERVOPRO 1440 Series



SERVOPRO 4900 MultiGas



MonoExact Df310E (19" Rack configuration 6U)

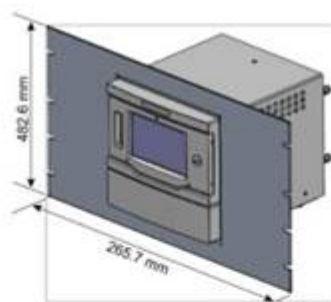
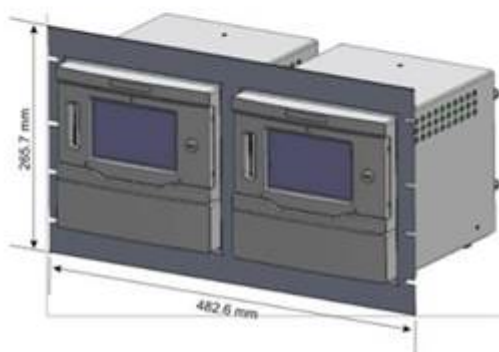


Figure 5-3: Rack installation



APPENDIX B:

List of models eliminated at end of 2021.

PART NUMBER	DESCRIPTION
01440D1	SERVOPRO 1440 SERIES GAS ANALYSER
01440D1AP01	1440 GAS ANALYSER, AP:4-019-99-0241
01440D1AP02	1440 GAS ANALYSER, AP:4-019-99-0242
01440D1R01	1440D GAS ANALYSER
01440D1R02	1440D GAS ANALYSER
01440D1V01	1440D GAS ANALYSER
01440D1V02	1440D GAS ANALYSER
01440D1V03	01440D GAS ANALYSER
01440D1V04	11440D GAS ANALYSER
01440D1V05	1440D GAS ANALYSER
01440D1V06	1440D GAS ANALYSER
01440D1V07	1440D GAS ANALYSER
01440D1V08	01440D GAS ANALYSER
01440D1V09	1440D GAS ANALYSER
01440D1V10	1440D GAS ANALYSER FV
01440D1X01	1440D GAS ANALYSER MODIFIED
X1440D1	SERVOPRO 1440 SERIES GAS ANALYSER (MODIFIED)
01660701	1660 OXYGEN ANALYSER
01660702	1660 0-10% CARBON DIOXIDE ANALYSER
01660703	1660 0-25% CARBON DIOXIDE ANALYSER